



Grown...to meet challenges

30+ years in Process Control Instrumentation

SLP Vibrosonde - Vibrating Rod

Version 2.1

Vibrosonde, vibrating rod type level switch, is a compact level limit switch for free-flowing as well as for bulk solids. They are also available in flameproof enclosures suitable for hazardous areas.

Principle

Vibrosonde level limit switch consists of a cylindrically shaped coaxial resonator which is kept vibrating at its natural frequency by piezo-electric elements. When one of the vibrating elements is covered by the material, the mechanical vibrations are damped. This damping is electrically sensed and the signal is used to cause a relay to change state. The base of the Vibrosonde is relatively insensitive as compared to the tip, so moderate amount of material buildup from vessel wall to base doesn't affect its operation.



Approvals CE Marking, RoHS Compliance

Features

- Low power consumption, less heat, durability
- Fast switching
- Self-diagnosis
- Independent of material's electrical properties
- Immunity to spurious external vibrations

Applications

Industries requiring level sensing in free-flowing solids:

- **Plastic Processing:** Powders, pellets, granules
- **Chemicals:** Powders, pills, crystals
- **Agriculture & Food:** Grains, rice, cereals, flour, sugar
- **Paper & Pulp Industry:** Crushed cellulose, shavings
- **Recycling:** Paper cuts, ground plastic
- **Cement & Power:** Fly-ash, lime, carbon black, cement
- **Mining, Construction:** Pulverized coal, sand, cement, clay

Parts

The parts of SLP Vibrosonde are explained in Figure 1. All dimensions are in millimeters.

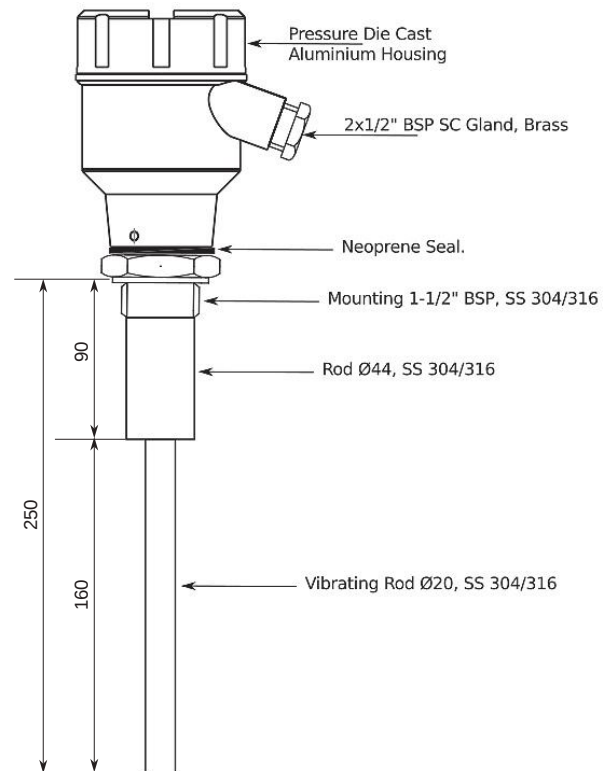


Figure 1: Parts of SLP Vibrosonde

Manufacturing Level Instruments & Speed Monitoring Systems

SAPCON INSTRUMENTS PVT. LTD.

An ISO 22000 company

131 Palshikar Colony, Indore, Madhya Pradesh, PIN - 452004, India

+91-731-4757575 (100 lines) Fax: +91-731-2475475

www.sapconinstruments.com Email: sales@sapcon.in



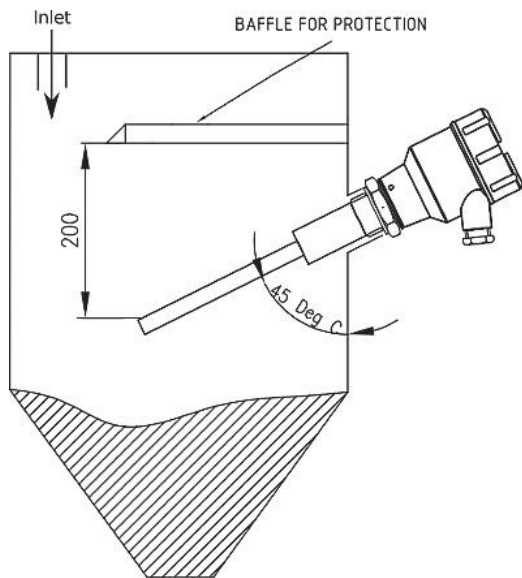


Figure 2: Mounting Arrangement for SLP Vibrosonde

Technical Specifications

Evaluation Unit

Housing:	Cast Aluminium, Weatherproof or Flameproof Housing
Cable Entry:	2 Nos.
Temperature:	Ambient: -20°C to + 60°C
Power Consumption:	3 W
Mains Voltage:	Universal Power Supply 18-55 V DC, 90-265 V AC
Fail-safe:	Field Selectable
Minimum:	Fail-safe Low
Maximum:	Fail-safe High
Indication:	Bi-color LED (Normal: Green, Alarm: Red)
Response Time:	1 second typically
Switching Delay:	Adjustable from 1 to 25 seconds

Why Sapcon

- Sapcon ~ Synonymous with Level Measurement.
- Pioneers in this field with over 32 years of expertise.
- Understanding your problems, always ready with solutions.
- Masters in customization.
- Offering accelerated delivery, saving your inventory costs.

Model Selection

SLP VIBROSONDE

POWER SUPPLY AND OUTPUT

- D- UNIVERSAL POWER SUPPLY 18-55 VDC, 90-265 VAC, SINGLE POINT-FREE RELAY OUTPUTS RATED AT 6A
- S- UNIVERSAL POWER SUPPLY 18-55 VDC, 90-265 VAC
 - SINGLE-POINT SINGLE RELAY (RATED 6A)
 - OPEN COLLECTOR PNP OUTPUT

SERVICE TEMPERATURE

- A- AMBIENT: BELOW 100°C
- H- HIGH TEMPERATURE: UPTO 150°C

RESPONSE TIME

- J- 1 sec WHEN COVERED
- K- 1 sec WHEN UNCOVERED

TIME DELAY SETTINGS

- V- COVER & UNCOVER DELAY- 1s TO 25s THROUGH TOGGLE SWITCHES

SENSITIVITY SETTINGS

- Y- FIELD SELECTABLE- THROUGH TOGGLE SWITCHES

ENCLOSURE

- W- WEATHER PROOF SQUARE P5- IP-65 WEATHERPROOF HOUSING
- FA- FLAMEPROOF (GAS GROUPS IIA & IIB)
- FC- FLAMEPROOF (GAS GROUPS IIA, IIB & IIC)

PROBE MOUNTING ARRANGEMENT*

- T- THREADED
- F- FLANGED
- O- OTHER

EXTENSION LENGTH

- PIPE- STAINLESS STEEL 250mm - 3m

PROBE LENGTH

- PX- (EXTENSION + ROD) LENGTH EXTENSIBLE FROM 250mm-3m

WETTED PARTS

- S6- SS-316

SLP S A J V Y W T SS PX S6

Connect to us

Management: +91 98260 80207 ashwin@sapcon.in

Customer Support: +91 80850 77767 support@sapcon.in

